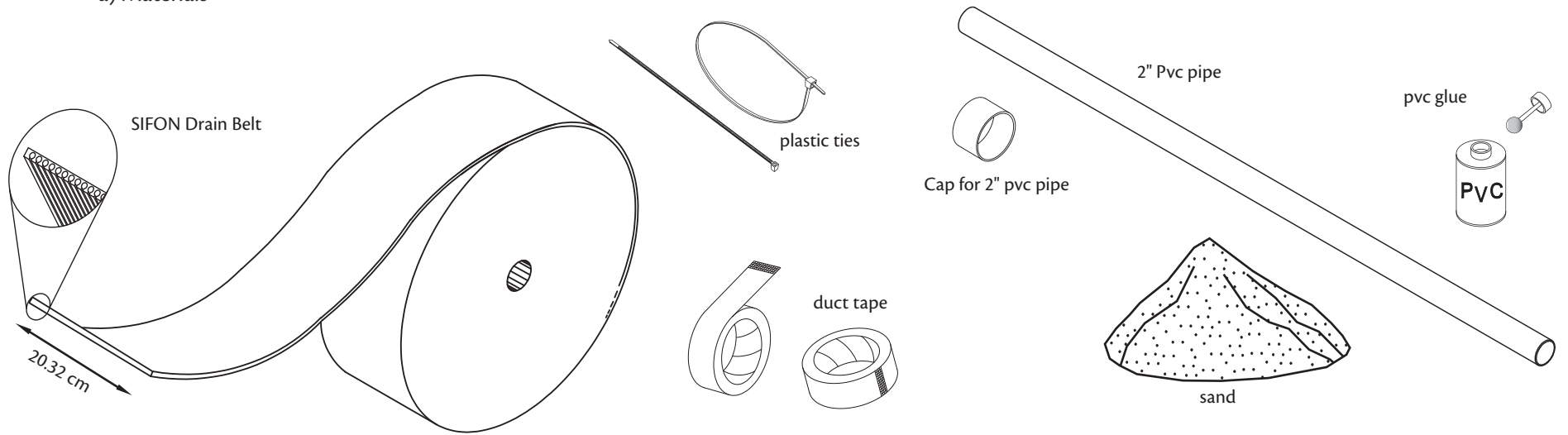
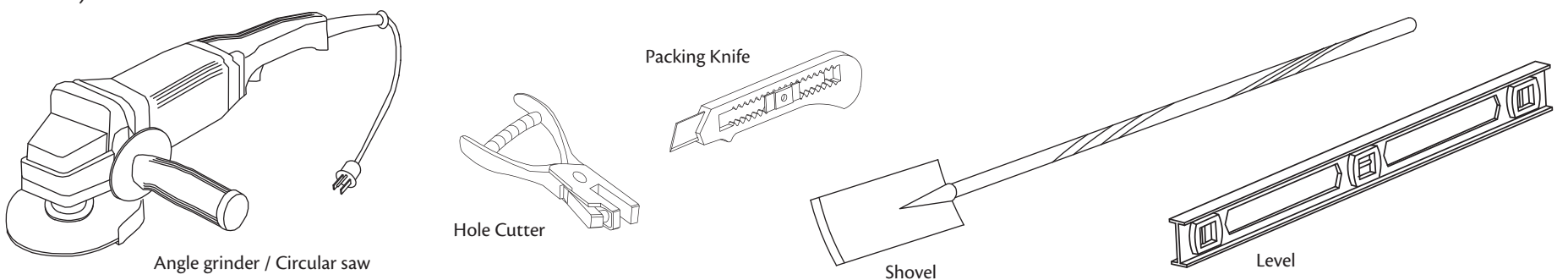


1 Tools and Materials

a) Materials



b) Tools

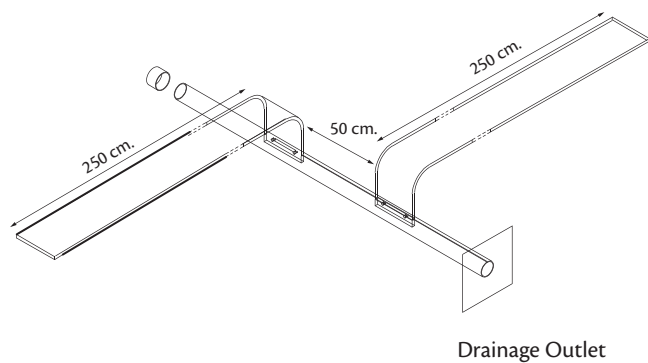


2 Determine the Area

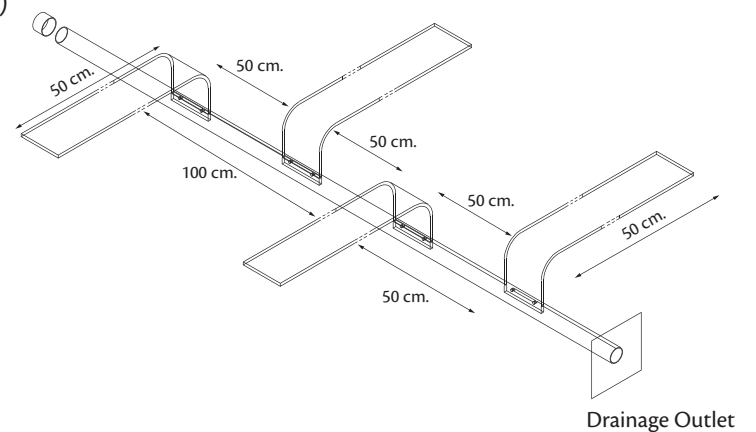
- Example 1: Area of 2.5 m² = (width)² 250 cm. x (length) 100cm.
- Example 2: Area of 1.5 m² = (width)² 100cm. x (length) 200cm.
- Example 3: Area of 6 m² = (width)² 100cm. x (length) 600cm
- Example 4: Area of 12 m² = (width)² 600cm. x (length) 200cm.

Centimeters	Inches
2.5 cm.	1"
5.08 cm.	2"
20.32 cm.	8"
30 cm.	12"
50 cm.	16"

(Take into account that it is the same drainage principal in the area that you need to resolve)

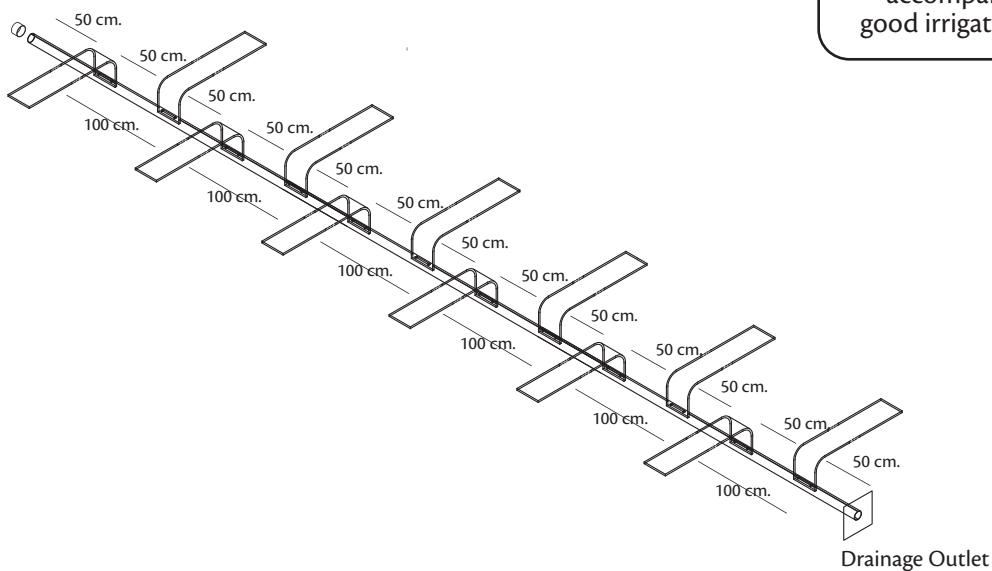


Example 1: (width) 250 cm. x (length) 100cm.

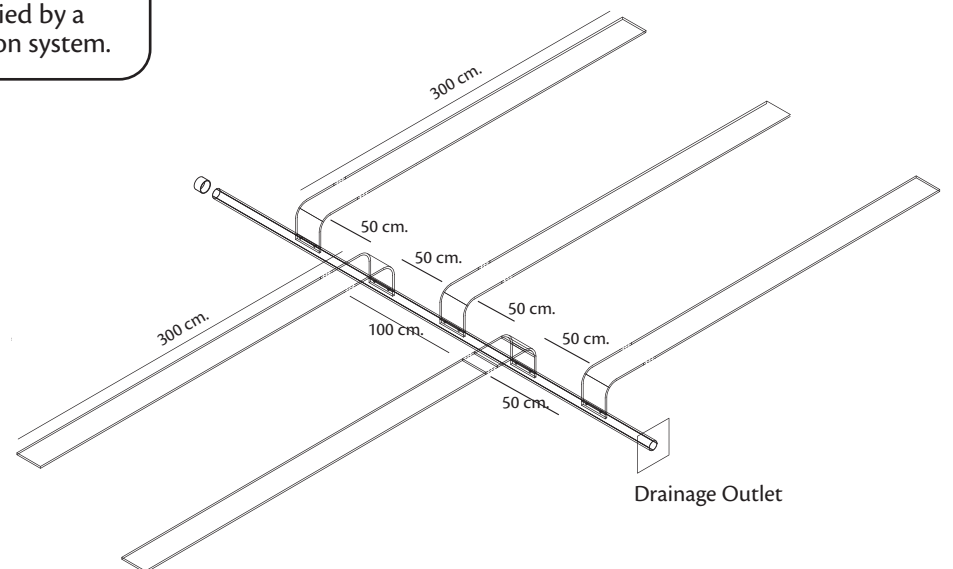


Example 2: (width) 100cm. x (length) 200cm

It is recommended that the use of this product be accompanied by a good irrigation system.



Example 3: (width) 100cm. x (length) 60



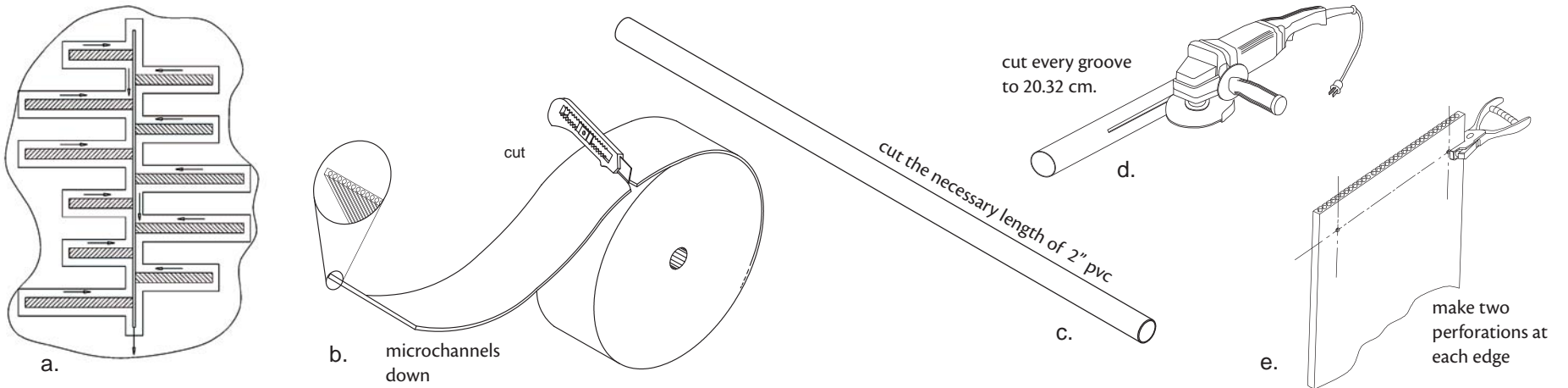
Example 4: (width) 600cm. x (length) 200cm.

Contact Information:

IVI-GOLF/Sandtrapper P.O. Box 810 Johnson, City, NY 13790 John Brauer (888) 970-5111

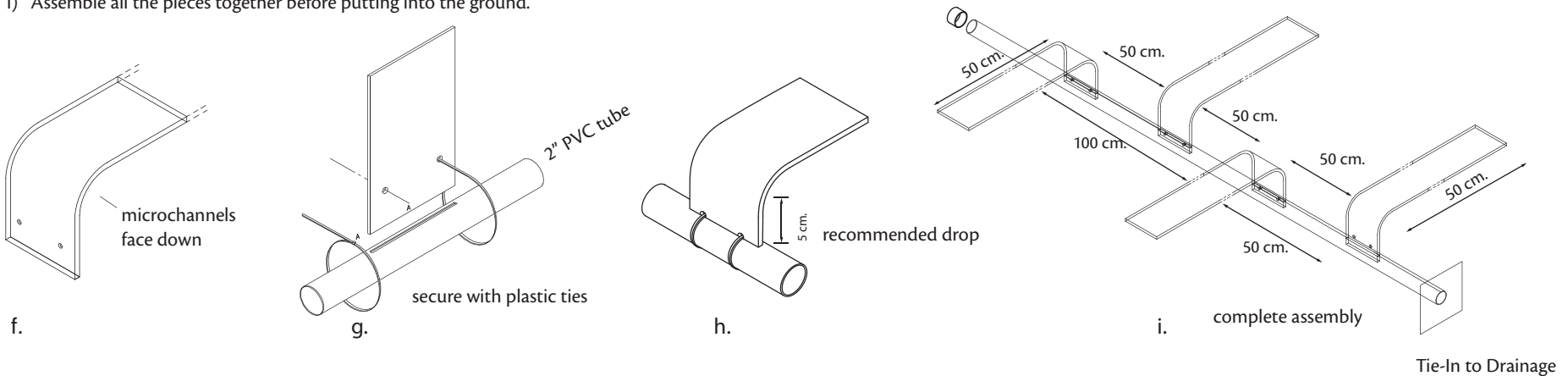
3 Cut

- Before beginning installation, take the time to make a drawing of your needed solution.
- Cut the various strips of drainage material that you will be needing.
- Cut one or various of the 2" PVC to the measurements that you have determined.
- Using a circular saw, mark and cut the 8" slits in the PVC pipe to be used.
- On one end of the strips make sure to puncture the two holes within the strip for the plastic ties. On the other end prepare to "seal" using PVC glue or duck tape. This will aid in the creation of the sifon effect.



4 Assembly

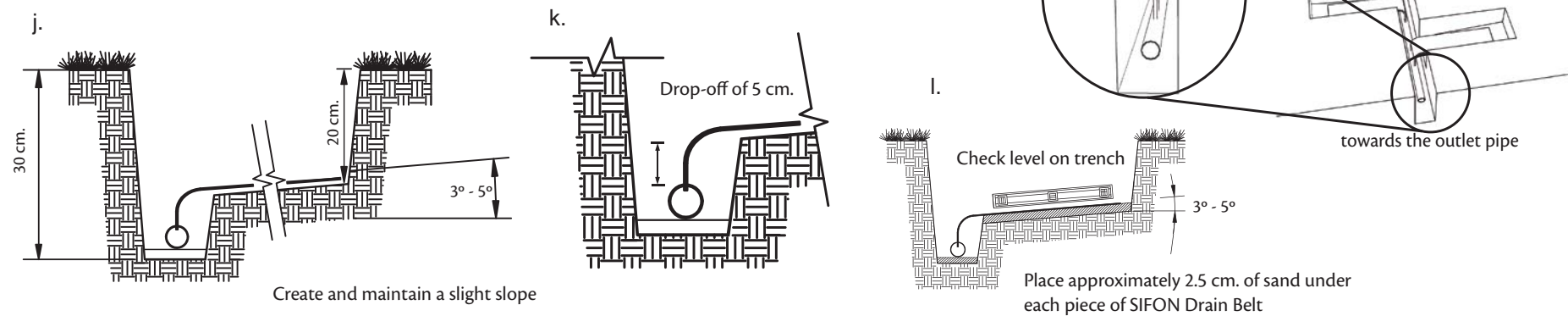
- Always remember that the drainage works with the channels facing downwards.
- Introduce the previously cut and prepared strips of drainage belt into the cut strips in the PVC and fasten with the plastic ties.
- In order to ensure the creation of the proper sifon effect, make sure that the belts drop 2.5 to 4" to the PVC pipe.
- Assemble all the pieces together before putting into the ground.



5 Trench

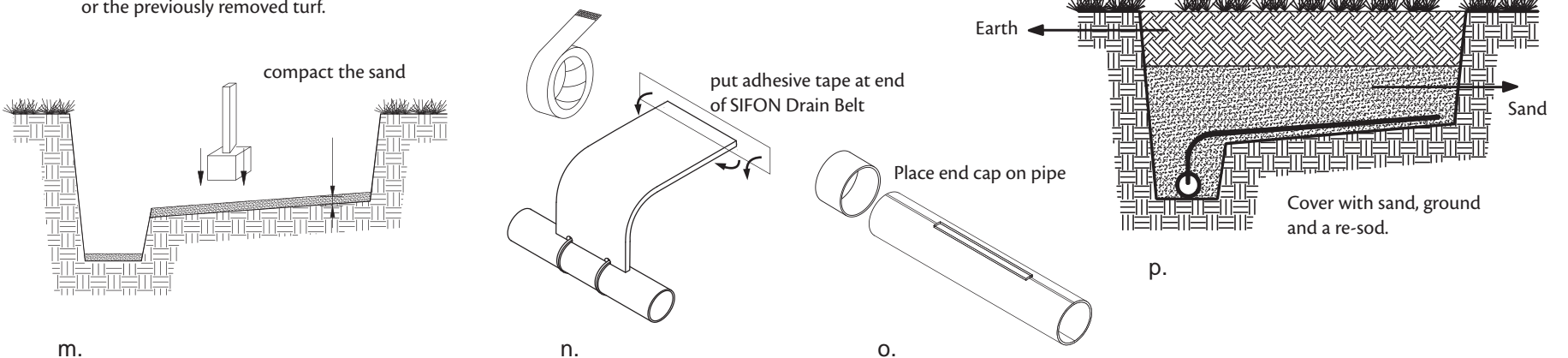
- Dig the main trench 12-20" deep depending on the outlet that you will have. The lateral strip should be 8-16" deep.
- Remember to ensure a "drop-off" from the drainage belt to the to the PVC pipe of at least 2.5 inches. 4-5 inches is preferable.
- Smoothly lay out approximately one inch of sand underneath the drainage belts. If you like you can also place a similar amount above the belt before refilling with the removed turf.

** Remember to ensure a gradient of at least one degree with the drainage belt before dropping off to the PVC pipe.



6 Compact and Cover

- Compact the sand as much as possible. Lightly using water can aid in this.
- Remember to seal the strips of drainage belt.
- Remember to seal the highest end of the PVC system with a PVC cap.
- Cover the belts with another 1" cap of sand and refill the strip with sand (bunker solution) or the previously removed turf.



Contact Information:

IVI-GOLF/Sandtrapper P.O. Box 810 Johnson, City, NY 13790 John Brauer (888) 970-5111